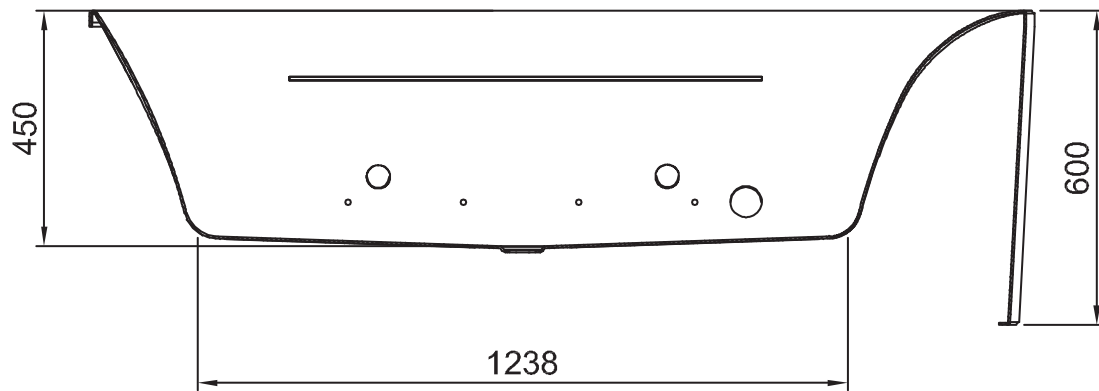
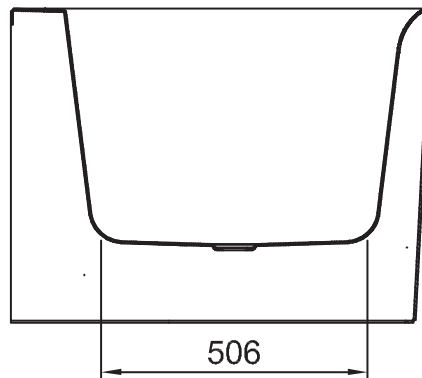


Vista in pianta
plan view

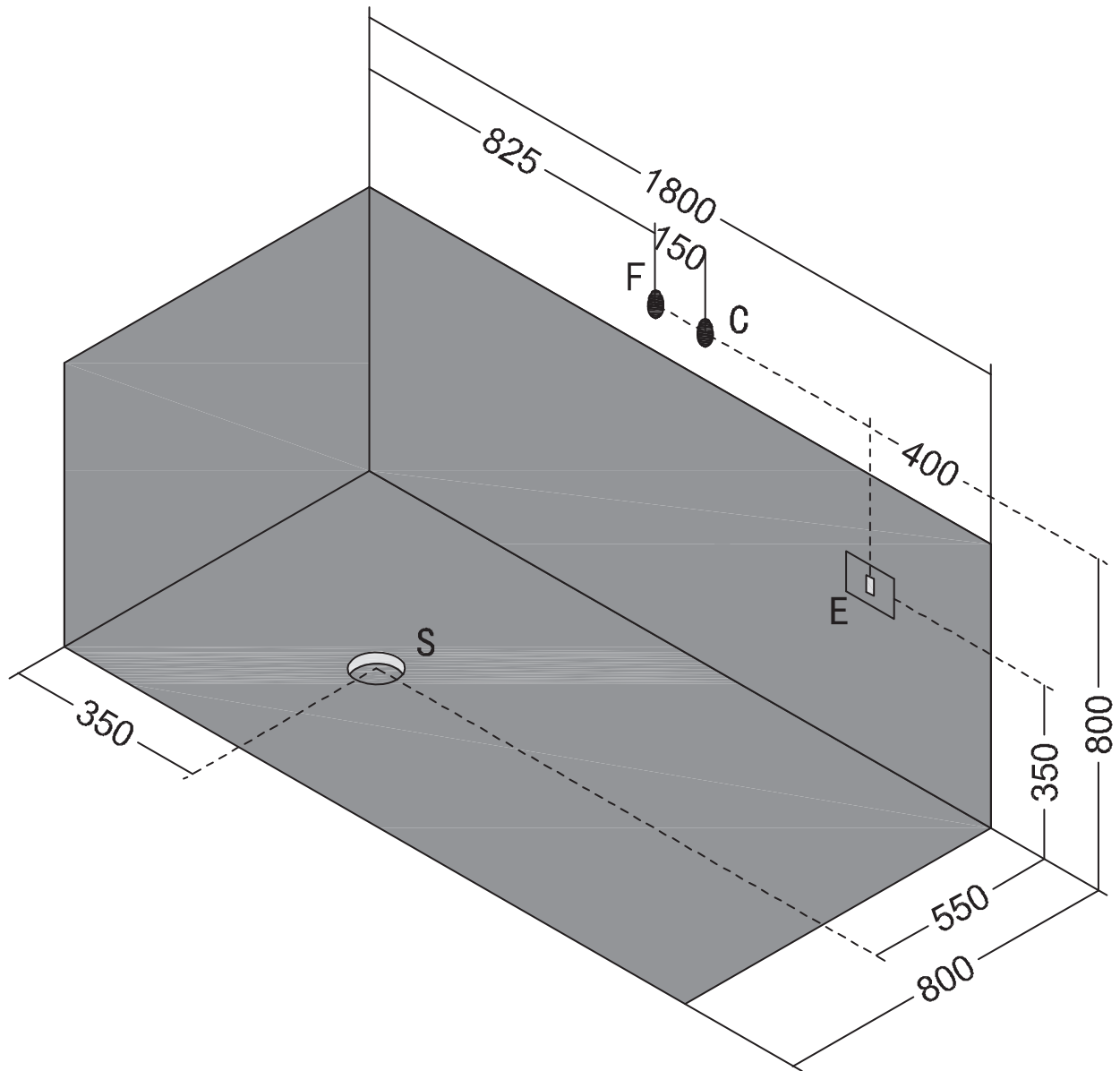


Sezione A/A'
Section A/A'



Sezione B/B'
Section B/B'

Colacril



Ingombro vasca proiettato nel muro

Bath overall dimensions as projected on the wall

Colacril

I	CARATTERISTICHE IDRAULICHE	CARATTERISTICHE ELETTRICHE	REQUISITI DI PREINSTALLAZIONE
N.B. L'INSTALLAZIONE DEVE AVVENIRE A PAVIMENTO E PARETI FINITE	Numero jets: 4	V 220/240	C : Allaccio acqua calda rubinetteria parete: 1/2" F : Allaccio acqua fredda rubinetteria parete: 1/2" S : Allaccio scarico incassato a pavimento: 1-1/2" E : Allaccio elettrico idromassaggio IPX5
Peso netto: Kg 60		HZ 50/60	
Peso spedizione: Kg 90		KW 0.78	
Volume spedizione: m3 = 1,385		A 5	
Contenuto acqua Lt 257			
GB	WATER SYSTEM SPECIFICATION	POWER SYSTEM SPECIFICATION	CONDITION REQUIRED BEFORE THE INSTALLATION
N.B. THE INSTALLATION MUST BE CARRIED OUT WITH FLOOR AND WALLS ALRESDY TILED	Numero jets: 4	V 220/240	C : Wall taps outlet for hot water: 1/2" F : Wall taps outlet for cold water: 1/2" S : Drainage outlet istalled in the floor: 1-1/2" E : Power outlet for the wirpool IPX5
Net weight: Kg 60		HZ 50/60	
total weight with package: Kg 90		KW 0.78	
Volume with package: m3 = 1,385		A 5	
Water capacity Lt 257			
F	WATER SYSTEM SPECIFICATION	POWER SYSTEM SPECIFICATION	CONDITION REQUIRED BEFORE THE INSTALLATION
N.B. THE INSTALLATION MUST BE CARRIED OUT WITH FLOOR AND WALLS ALRESDY TILED	Numero jets: 4	V 220/240	C : Wall taps outlet for hot water: 1/2" F : Wall taps outlet for cold water: 1/2" S : Drainage outlet istalled in the floor: 1-1/2" E : Power outlet for the wirpool IPX5
Net weight: Kg 60		HZ 50/60	
total weight with package: Kg 90		KW 0.78	
Volume with package: m3 = 1,385		A 5	
Water capacity Lt 257			